

QUADRO L24

QUADRO



code 1E700599

LED

- 24x5W LED High power RGB + 4 x3w white LED
- 3 in 1 LED make extremely even and smooth color mixing effect

EXTREMELY LONG LIFE

- 50.000 hours and low power consumption

DMX CHANNEL

- 6 channels

3 OPERATIONAL MODES

- DMX-512, Master/Slave & stand alone

STROBO

- Strobe effect with 1-25 flashes per second and pulse effect

DIMMER

- Linear dimming and blackout for all four colors

CTC

- Easy color temperature control

EXCELLENT COLOR MIXING

RESIDENT PROGRAMS

- Internal automatic programs

INPUT / OUTPUT

- DMX 512 input/outout signal 3 pin

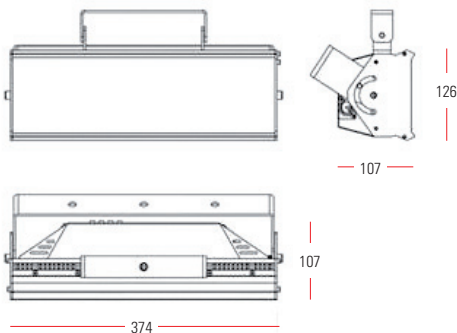
RDMX: REMOTE DMX ADDRESSING READY

POWER

- Power consumption: 150W
- AC100-260V, 50/60 Hz

NET WEIGHT

- 3 Kg



374