



## USER MANUAL



# CLASSE **LWZ 60 E**

KEEP THIS MANUAL FOR FUTURE NEEDS



---

## 1. Product Introduction:

1.1 Before unpack the fixture, pls make sure that the packing is in good condition, following items will be found in the box:

- The fixture
- This users guide
- 3m DMX cable
- 1.5m power cable with powercon
- Omega bracket for hanging installation
- Safety chain

### 1.2 Specification

#### Source

- Light source: 36pcs 8W 4in1 leds
- Led life: 60.000 hours
- Luminous Flux: 3200lumen, 7241lux@2.5m at 13°, 795lux@2.5m at 60°
- Control: Remote on/off via DMX
- Ballast: switching mode power supply

#### Optical System

- Beam angle: 13° to 60°

#### X/Y

- Pan: 630° (2.5.0 sec) or 540°(2 sec), Tilt: 265° (1.8 sec)
- 16-bit resolution
- Auto repositioning

#### Features

- DMX channels: 15/16/17/24
- Super fast, smooth and silent movement
- RGBW four colors mixing to create vivid, saturated and uniform color effect
- Pre-set color temperature at 2700K, 3200K, 4200K, 5600K and 8000K
- zoom from 13° to 60°
- Full range 0-100% dimmer
- Various strobe
- Software upgrade via DMX
- Hibernation when lost DMX for preset time
- Indicate temperature info of base, arm and lamp
- Fan speed auto change according to temperature

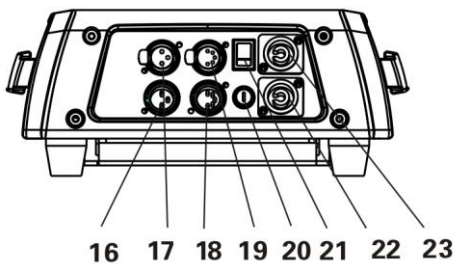
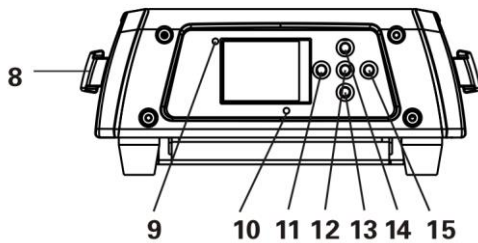
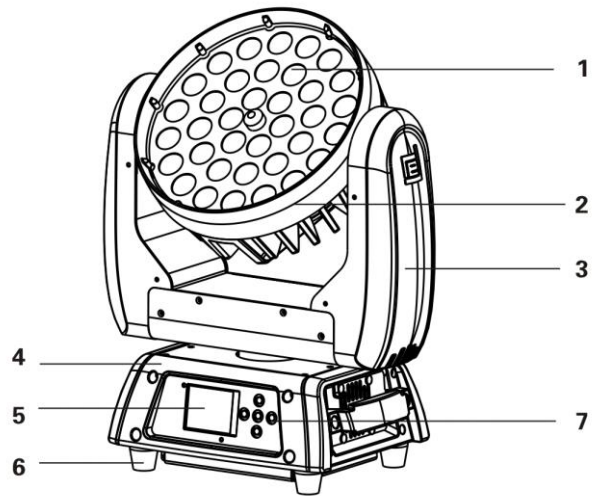
#### Display

- 2.4inch super nice LCD display with friendly English/ Chinese/French/Spanish menu
- Auto lock
- Flip

● Back-up communicating IC

1.3 Description of the Device

1. Project lens
2. Head
3. Arm
4. Base
5. Display
6. Foot stand
7. Operation button













8. Handel
9. Wireless indicator
10. Mic
11. Left button
12. Enter button
13. Down button
14. Up button
15. Right button
16. 3-pin DMX in
17. 3-pin DMX out
18. 5-pin DMX in
19. 5-pin DMX out
20. Fuse
21. Power switch
22. Powercon in
23. Powercon out

**2. Safety and maintenance Information**

2.1 Safety Info

	Before operate this unit, please carefully read this users guide and keep if needed in future. It's necessary to respect following rules.
	The disposal of the device after lifecycle could damage the environment, need to take it to special company for recycling or return to authorized dealer.
	The products referred to in this manual conform to the European Community Directives and are therefore marked with CE logo.
	Keep this device away from children and unauthorized users, the manufacturer will not take responsibility for the damage due to any disregard of the information provided in this manual and wrong operation.

	Before operate the device, pls make sure the fixture is in good housing, ensure pan and tilt can rotate in its complete range.
	Pls make sure minimal 0.5m distance need to kept between the fixture to any flammable material.
	The device can only run with 100-240v voltage, 50/60Hz power, don't connect to any other wrong power. Disconnect the device from main power before open the shield or maintenance.
	The device is designed only for indoor usage, pls keep it away from moisture. Do not expose the device under the sun or directly to any other lighting source.
	Never look directly into the projecting lens when the fixture is power on, the light may trigger epileptic seizures in photosensitive persons or persons with epilepsy. Especially at beam effect, extreme caution and observance of these safety instructions is mandatory.
	Don't put or install the device on a surface that subject to vibration or bumps.
<b>Ta=45°C</b>	The device is supposed to work in the temperate range -15° C and +45° C, do not use the device when the temperate exceed this range.
	The lens, shield need to be replaced when obviously broken, never use the device when the shield is not completed closed.
	Safety I class device, need to be earth connected.
	When the fixture is hanged overhead, the safety rope must be fixed to the bottom of the device to the appropriate fixing point.
	Always carry the device by the handles, do not take the head or arm directly for transportation.

## 2.2 Maintenance

2.2.1 Operation only allowed to qualified person, damages due to unprofessional operation or remove of any parts inside will not be considered in warranty service. There are no serviceable parts inside the device or package, service only leaves to authorized dealers.

2.2.3 Never allow the optical components contact with oil, fat or any other liquid.

2.2.4 A regular clearance of the device is needed for long-term usage, this is very helpful to maintain the lifetime and brightness need to use a soft and lint-free cloth to clean the optical system, fan and air flowing tunnel.

### 2.2.5. Trouble Shooting

Problems	Possible reasons	Checking or solutions
Device not power up	Powercon or power cable damaged Faulty power supply	Change a good power cable to try Replace new power supply
Pan/Tilt error or vibrate	Faulty Pan/Tilt PCB Faulty opto sensor Cable loosen	Replace PT001 PCB Replace opto sensor OP001 Check the cable connect to OP001
LED off	Temperature protection Fan not working Faulty LED Dimmer and strobe set at 0 Faulty power supply	Check the temperature from menu Check the fan speed info from menu Replace new LED Set dimmer and strobe channel at 255 Replace new power supply

Device not response to DMX	Faulty communication IC Faulty display PCB Wrong DMX addressing Faulty DMX cable	Replace the IC with back-up one in the display PCB Replace new display PCB Check the address and setting Change to a good DMX cable
----------------------------	---	--

### 2.2.6 Replacement of the fuse

Need to replace with same type and rating, which originally installed in the device.

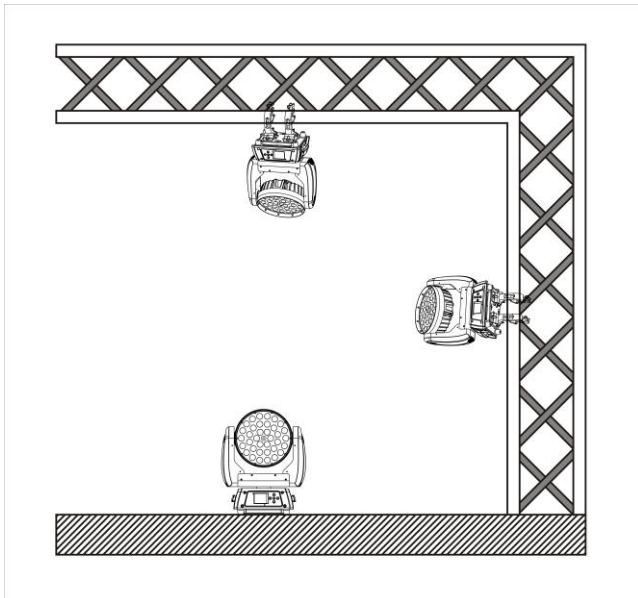
Step One: Unplug power cable from main power.

Step Two: Unscrew the fuse holder out of the housing with a screwdriver.

Step Three: Remove the broken fuse and replace with an exact same type of new fuse.

Step Four: Insert the fuse holder back to the housing and screw tight and reconnect power.

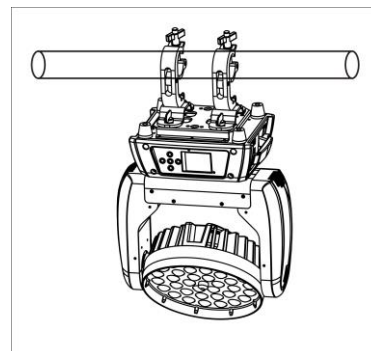
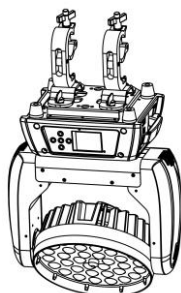
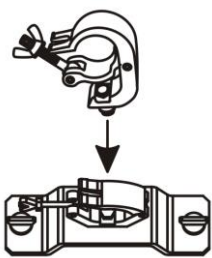
## 3. Installation



3.1 The device could be either put on a solid and even surface, or mounted upside down or sideways like left picture.

3.2 The mounting place must be sufficient stable and be able to support a weight of 10 times of the unit's weight. When the fixture is hanged, always additionally secure the device with the safety chain, fasten the safety rope at a suitable position so that the maximum fall of the projector will be 20 cm

### 3.3 How to do mounting installation.



Step one: Installation the clamp onto the omega bracket;

Step two: Install the clamp and bracket on the bottom of panel, fasten the quick-locks;

Step three: Install the whole device onto appropriate truss and fasten the clamps, tight the safety rope with the truss or other fixing point at a suitable position that drop down distance not exceed 20 cm.

## 4. Control menu

### 4.1 Meaning of the icon in menu

CONNECT	LIGHT	INFOMATION	SET	PROGRAM
				

### 4.2 Menu tree

Default setting shadowed. mark with ① can be basic reloaded, ② be program reloaded, ③ can be private reloaded.

Con nect	DMX Address ①	XXX	DMX address setting	
	Max Temperature ①	80~139°C, 90°C / 176~282°F, 194°F	Lamp off if temperature continuously over for 5 minutes	
Light	Lamp Adjust ①	PAN.....	Adjust value of each channels	
	Information	Time Info.	Current        XXXX(Hours) Fixture Life    XXXX(Hours)	Fixture boot time Fixture total run time
Temperature		Near Lamp Temp (depends on fixture)	Temperature Sensors	
Fans Speed		Near Lamp Fan (depends on fixture)	Fan speed Sensors	
Channel Value		PAN.....	Display value of channel	
Error Message		Pan,Tilt.....	Error channels	
Fixture Model		xxxxxxxxxxxx	Display model brand and model	
Set	Software Ver	1U01 V1.0.00 2U01 V1.0.00 :	Version of each IC	
	Reset	All Pan&Tilt Others	Reset all Reset Pan&Tilt Reset Others	
Set	Movement	Pan Reverse①	ON/OFF	Pan Reverse
		Tilt Reverse①	ON/OFF	Tilt Reverse
		Pan Degree①	630/540	Choose Pan Degree
		Encoders①	ON/OFF	Encoder wheel on/off

		Pan/Tilt Mode①	Stand/Smooth	Choose pan/tilt mode
	UI Set	Mic Sens. ③ No Signal① Temperature. C/F① Fans Mode① Hibernation① Backlight① Flip Display① Display Bright③ Brand Show① Key Lock① Language①	0~99%,60% Close/Hold/Auto/Music Fahrenheit /Celsius Auto Speed /High Speed OFF, 01M~99M, 15M 02~60m 02m ON/OFF 00~31 10 ON/OFF ON/OFF En/简/繁/Fr/Sp	Sensitivity of Mic Mode when no signal Temperature at °C/°F Fans mode Sleeping mode Show backlight time Display 180° reverse Display Brightness Show brand or not Key lock on/off Language Select
	Users	User Mode①	Standard Extended Basic-8bit Basic-16bit User	Standard mode Extended mode Basic-8bit mode Basic-16bit mode User program mode
		Edit User③	Max Channel = XX PAN = CH01 :	Edit users mode
	Calibration③	-Password- Pan...	=XXX =XXX	Password: 050 Calibrate channel value
	Fixture ID③	Name -Password- PID Code		Name Password: 050 Set PID of RDM
	Reload Default	Basic Reload(①) Program Reload(②) ---Password--- Private Reload(③) All Reload	ON/OFF ON/OFF XXX ON/OFF ON/OFF	Basic Reload Program Reload Password: 050 Private Reload All Reload
Program	Play①	DMX Receive Slave Receive Sequence Music	Slave Receive 1,2,3 Master / Alone Master / Alone	DMX Receive Choose slave position Run Sequence Music mode
	Select Chase ②	Chase Part 1 Chase Part 2 Chase Part 3	Chase 1 ~ 8 Chase 1 Chase 1 ~ 8 Chase 2 Chase 1 ~ 8 Chase 3	Select and run auto program
	Edit Chase②	Chase 1 : Chase 8	Chase Test Step 01 =SCxxx Step 64 =SCxxx	Test Beginning scene Ending scene
	Edit Scenes②	Edit Scene 001 ~ Edit Scene 250	Pan,Tilt,..... --Fade Time-- --Scene Time-- DMX Input	=xxx =xxx =xxx Input manual scene Modify manually fading time Modify manually scene time

					Input scene from exterior controller
	Scenes Record	ScXX=>ScXX			Auto Input scenes

## 5. DMX connection and DMX protocol

### 5.1 DMX addressing:

5.1.1 The device is controlled by universal DMX 512 protocol, DMX address is the start channel used to receive instructions from the external controller. For independent control, each fixture must be assigned its unique address control channels. For example, this device has four channel modes: 16/24/15/17, if we set the mode at standard 16 channels mode, and there are several models need to be independently controlled, we just simply address first fixture at 1, and second fixture at 17, third one at 33, etc.

If the devices have the same address, they will behave synchronically.

DMX addressing is limited, don't set the address so high that without enough control channels for the fixtures. Display is flashing when no DMX signal is received.

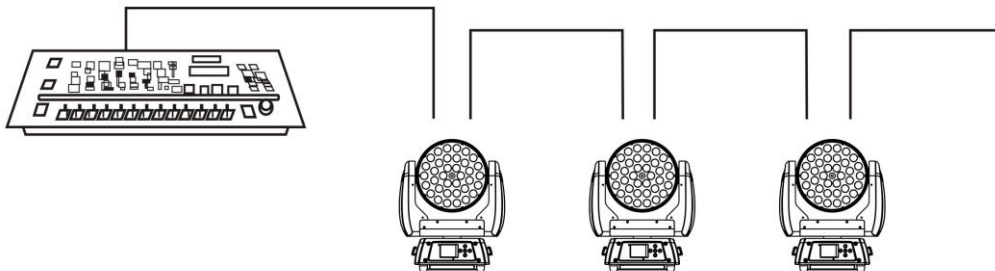
5.1.2 This device is equipped with 3-pins and 5-pins DMX in and out sockets only.



5.1.3 The termination is prepared by soldering a 120Ω resistor between pins 2 and 3.



5.1.4 Connection: us DMX cable with 3+5-pin XLR-plugs to connect the controller with the fixture or one fixture with another.





## 5.2 DMX chart

Channel				name	function	Min DMX	Max DMX
St	Ex	Ba1	Ba2				
1	1	1	1	Pan	Pan Coarse	0	255
	2		2	Pan fine	Pan Fine	0	255
2	3	2	3	Tilt	Tilt Coarse	0	255
	4		4	Tilt fine	Tilt Fine	0	255
3	5	3	5	Movement Speed	fastest to Slowest	0	255
4	6	4	6	Movement Function	Normal	0	15
					Movement With Blackout	16	31
					Pan Forward Spin	32	47
					Pan Reverse Spin	48	63
					Tilt Forward Spin	64	79
					Tilt Reverse Spin	80	95
					Pan&Tilt Forward Spin	96	111
					Pan&Tilt Reverse Spin	112	127
					Pan Forward Spin & Tilt Reverse Spin	128	143
					Pan Reverse Spin & Tilt Forward Spin	144	159
					TBD	160	255
5	7			Shutter Function	Normal Shutter Functions	0	15
					Pulse-effect Forward	16	31
					Pulse-effect Reverse	32	47
					Random Strobe	48	63
					TBD	64	255
6	8			Shutter	Normal Shutter Functions		
					Close	0	31
					Strobe Rate (slow to fast)	32	223
					Open	224	255
					Pulse-effect Forward		
					Close	0	31
					Strobe Rate (slow to fast)	32	223
					Open	224	255
					Pulse-effect Reverse		
					Close	0	31
					Strobe Rate (slow to fast)	32	223
					Open	224	255
					Random Strobe		
					Close	0	31
					Strobe Rate (slow to fast)	32	223
Open	224	255					
		5	7	Shutter	Shutter closed	0	31
					No function (shutter open)	32	63

					Strobe effect slow to fast	64	95
					No function (shutter open)	96	127
					Pulse-effect in sequences	128	159
					No function (shutter open)	160	191
					Random strobe effect slow to fast	192	223
					No function (shutter open)	224	255
7	9	6	8	Dimmer	Dimmer(0->100%)	0	255
	10			Dimmer fine	Dimmer fine control	0	255
8	11	7	9	Virtual Color Function	On Function	0	15
					CTC Function	16	31
					Forward Spin	32	47
					Reverse Spin	48	63
					Continuous	64	79
					Color Bounce	80	111
					TBD	112	255
9	12	8	10	Virtual Color1	CTC Function		
					Color Temperature Correction 2000K->2700K	0	223
					White 3200K	224	231
					White 4200K	232	239
					White 5600K	240	247
					White 8000K	248	255
					Forward Spin		
					Rainbow Effect (Slow->Fast)	0	255
					Reverse Spin		
					Rainbow Effect (Slow->Fast)	0	255
					Continuous&Color Bounce		
					Black	0	0
					Red	1	1
					Green	2	2
					Blue	3	3
					White	4	4
					Red=0, Green->up,Blue=full,White=0	5	46
					Red=0, Green=full,Blue->down,White=0	47	88
					Red->up, Green=full,Blue=0,White=0	89	130
Red=full, Green->down,Blue=0,White=0	131	172					
Red=full, Green=0,Blue->up,White=0	173	214					
Red->down, Green=0,Blue=full,White=0	215	255					
10	13	9	11	Virtual Color2(Only On Color Bounce)	Color Bounce		
					Black	0	0
					Red	1	1
					Green	2	2
					Blue	3	3
					White	4	4
					Red=0, Green->up,Blue=full,White=0	5	46
					Red=0, Green=full,Blue->down,White=0	47	88

					Red->up, Green=full,Blue=0,White=0	89	130
					Red=full, Green->down,Blue=0,White=0	131	172
					Red=full, Green=0,Blue->up,White=0	173	214
					Red->down, Green=0,Blue=full,White=0	215	255
11	14	10	12	Red	Red 0->100%	0	255
	15			Red fine	Red fine control	0	255
12	16	11	13	Green	Green 0->100%	0	255
	17			Green fine	Green fine control	0	255
13	18	12	14	Blue	Blue 0->100%	0	255
	19			Blue fine	Blue fine control	0	255
14	20	13	15	White	White 0->100%	0	255
	21			White fine	White fine control	0	255
15	22	14	16	Zoom	small angle -> Big angle	0	255
	23			Zoom fine	Zoom fine control	0	255
16	24	15	17	Control	Normal	0	7
					Reset All	8	15
					Pan&Tilt Reset	16	23
					TBD	24	47
					Other Reset	48	55
					Display Off	56	63
					Display On	64	71
					TBD	72	79
					TBD	80	87
					Hibernation	88	95
TBD	96	255					

## 6. Unique Features

6.1 RDM, stand for "Remote Device Management", with this function, users can realize remote control of the device, such as remotely changing DMX address, reverse pan/tilt setting, check a lot of useful information such as temperature, power consumption, fan speed. Etc. Every single device has a unique RDM code before left factory to distinguish from each other, usually not suggest users change this code freely.

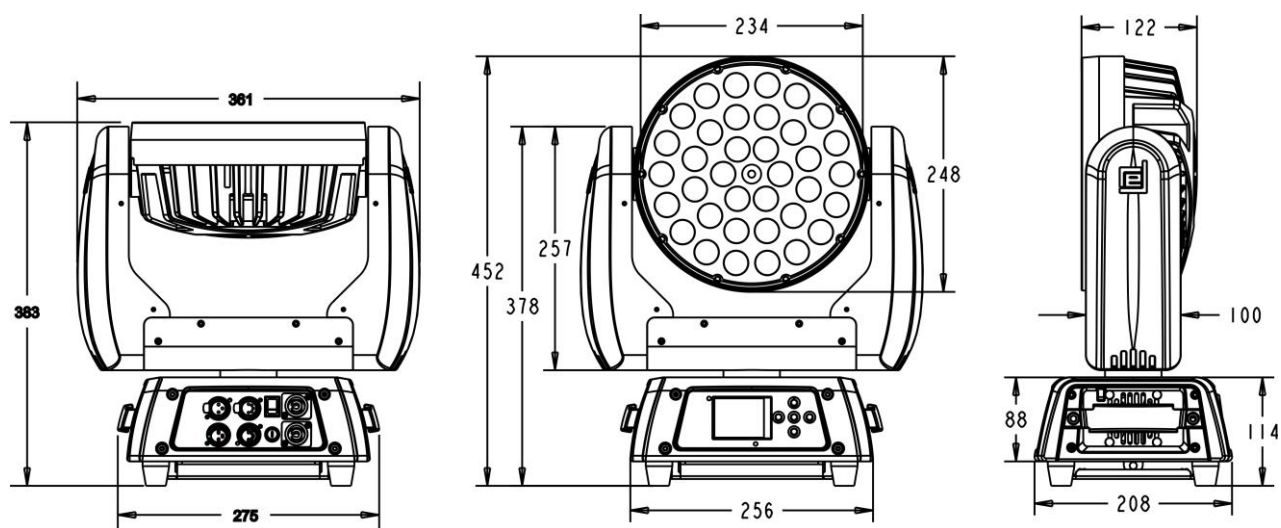
6.2 Software upgrade function via DMX cable, if there is any new firmware for this device come out, it can be upgraded simply via a software upgrade box, no need to change any mechanical parts. The upgrade box is not included in the package, if need any further assistance pls just contact authorized dealers.

6.3 Hibernation, the device will enter sleeping mode if activated after a period of disconnecting DMX signal to save the power consumption, and will return immediately as soon as the DMX signal is sent again.

6.4 Display back-up communication IC, there is a back-up communication IC installed in the display PCB, so users could replace at once if the working one is broken, no need to wait long time from service.

6.5 Display flip, by press up and down button for more than 3 seconds, the display will flip automatically, this function is useful to read menu conveniently when device is hanged.

## 7. Dimensions Drawing



## 8. Technical specification

Power supply	100-240 V AC, 50/60 Hz ~
Power consumption	290W
LED	36pcs 8W 4in1 leds
DMX channels	15/16/17/24 modes
Beam angle	13° to 60°
Luminous flux	3200lumen, <u>7241lux@2.5m</u> at 13°, <u>795lux@2.5m</u> at 60°
Fuse	T 3.15A, 250 V
Device dimensions	361X208X383mm
Net Weight	11KG

The information contained in this publication has been carefully prepared and checked.

However, no responsibility will be taken for any errors.

All rights are reserved and this document cannot be copied, photocopied or reproduced, in part or completely, without prior written consent from Red Lighting.

Red Lighting reserves the right to make any modifications to any of its products without prior notice.

Red Lighting assumes no responsibility for the use or application of the products or circuits described here in.

**R&D LIGHTING S.r.l.**

Viale dei Mille 60, 50131 Firenze, Italy

Capitale Sociale € 100.000 i/v - Codice Fiscale / Part. IVA 06209690483

[www.red-lighting.com](http://www.red-lighting.com)

[info@red-lighting.com](mailto:info@red-lighting.com)