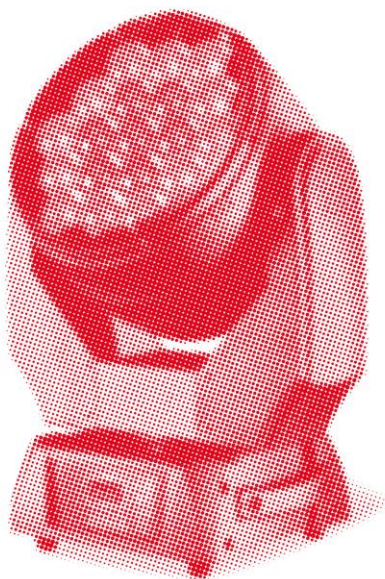




PROFESSIONAL LED MOVING HEAD USER MANUAL



LW82 20

KEEP THIS MANUAL FOR FUTURE NEEDS



STATEMENT

The product has well capability and intact packing when leave factory. All of the user should comply with warning item and manual, any misuse cause of the damages are not included in our guarantee, and also cannot be responsible for any malfunction & problem owing to ignore the manual.

1. Safety Instructions

Please keep this User Guide for future consultation. If you sell the unit to another user, be sure that they also receive this instruction booklet.

Unpack and check carefully there is no transportation damage before using the unit.

Before operating, ensure that the voltage and frequency of power supply match the power requirements of the unit.

It's important to ground the yellow/green conductor to earth in order to avoid electric shock.

The unit is for indoor use only. Use only in a dry location.

The unit must be installed in a location with adequate ventilation, at least 50cm from adjacent surfaces. Be sure that no ventilation slots are blocked. Disconnect main power before replacement or servicing.

Make sure there are no flammable materials close to the unit while operating as it is fire hazard. Use safety cable when fixes this unit. DO NOT handle the unit by taking its head only, but always by taking its base.

Maximum ambient temperature is T_a : 40°C. DO NOT operate it where the temperature is higher than this Unit surface temperature may reach up to

85°C. DO NOT touch the housing bare-hand during its operation. Turn off the power and allow about 15 minutes for the unit to cool down before replacing or serving.

In the event of serious operating problem, stop using the unit immediately. Never try to repair the unit by yourself. Repairs carried out by unskilled people can lead to damage or malfunction. Please contact the nearest authorized technical assistance center. Always use the same type spare parts.

DO NOT touch any wire during operation as high voltage might be causing electric shock.

WARNING:

To prevent or reduce the risk of electrical shock or fire, do not expose the unit to rain or moisture.

DO NOT open the unit within five minutes after switching off.

The housing, the lenses, or the ultraviolet filter must be replaced if they are visibly damaged.

CAUTION:

There are no user serviceable parts inside the unit. DO NOT open the housing or attempt any repairs yourself. In the unlikely event your unit may require service, please contact your nearest dealer.

INSTALLATION:

The unit should be mounted via its screw holes on the bracket. Always ensure that the unit is firmly fixed to avoid vibration and slipping while operating. And make sure that the structure to which you are attaching the unit is secure and is able to support a weight of 10 times of the unit's weight. Also always use a

safety cable that can hold 12 times of the weight of the unit when installing the fixture.

The equipment must be fixed by professionals and it must be fixed at a place where is out of the touch of people.

2. Technical Specifications

Power Voltage: AC 100-240V, 50/60Hz

Power Consumption: 300W

Light Sources: 19 Multi-chip 4in1 RGBW 15 Watt LED sources

Beam Angle: 7°~ 60°

Control

DMX Channel: 20/28 Channel

Control Modes: DMX512, Auto, Master-Slave, Music

Pan/Tilt

Pan/Tilt: 540°/ 270°

Pan/Tilt Resolution: 16 bit

Construction

Display: LCD Display

DMX In/Out socket: 3-pin & 5-pin XLR sockets

Power Socket: Powercon in/out

Protection Rating: IP20

Features

Motorized liner zoom system, zoom range: 7°~60°

Outstanding color macro effect

Dimmer: 0~100% smooth dimming

Variable strobe effects

Fast, quiet operation and flicker free

Size

Dimension: 33*23*37cm,

Packing Size:410*330*490MM

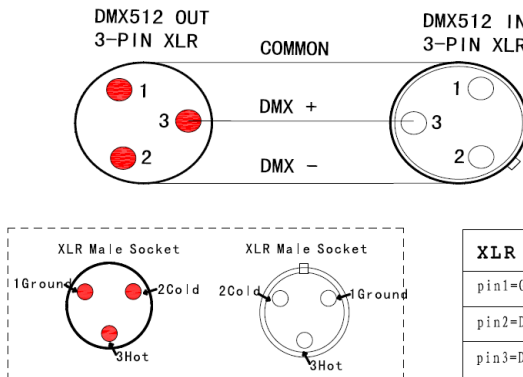
Weight

Net Weight: 10Kgs

Gross Weight: 12Kgs

3. How to Control The Device

The DMX512 is widely used in intelligent lighting control, with a DMX 512 controller. connect several lights together, dmx in and dmx out, 3 pin XLR connectors: Pin 1: GND, Pin 2: Negative signal (-), Pin 3: Positive signal (+)



Display:

MENU To select the programming functions
DOWN To go backward in the selected functions
UP To go forward in the selected functions
ENTER To confirm the selected functions

Set DMX Address Code

1. Press "**Menu**" to "Set DMX Address" and press "**ENTER**" keys to enter into
2. Show "Set DMX Address DMX Address:001", Press the "**UP** and **DOWN**" keys to amended
3. Press "**ENTER**" keys to save and Exit, Press the "**MENU**" Keys does not save and Exit

function	Address CH Value Set to Slave	Address001~XXX PAN..... Slave		Change address Show each channel value Slave receive position select
	Auto program Music control	Master-Auto / Alone-Auto Master-Music / Alone-Music		auto run mode Sound auto run
inform	Temp Inf	Head Temperature	XXX°C/°F	current temperature
	Soft Inf	VX.X.X...		software version
Person	Status	Pan Rev Tilt Rev P-Degree M Speed Mic Sens	ON/OFF ON/OFF 540/360 Speed 1~ 2 0~99%(70)	Pan scan opposition title scan opposition scan angle select scan mode select mic sensitivity
	Temp C/F	C/F		reload the default parameter
	Reset Default	ON/OFF		Re-load all delivery parameter
Reset	Reset All			Reset the light

Adjust	CaliT CH	Password	Password=XXX	channel data calibrate code :050 PAN channel data calibrate TILT channel data calibrate
		PAN	PAN=XXX	
		TILT	TILT	
mode set	Standard Zone			Standard Channel mode Zone channel mode

20/28 DMX channels mode:

Mode/Channel		Value	Function
Standard	Zone		
1	1		<u>PAN Movement 8bit :</u>
		0-255	Pan Movement
2	2		<u>Pan Fine 16bit :</u>
		0-255	Fine control of Pan movement
3	3		<u>TILT Movement 8bit :</u>
		0-255	Tilt Movement
4	4		<u>Tilt Fine 16bit :</u>
		0-255	Fine control of Tilt movement
5	5		<u>Speed Pan/Tilt movement :</u>
		0-225	max to min speed
		226-255	no function
6	6		<u>STROBE :</u>
		0-255	Strobe from slow to fast

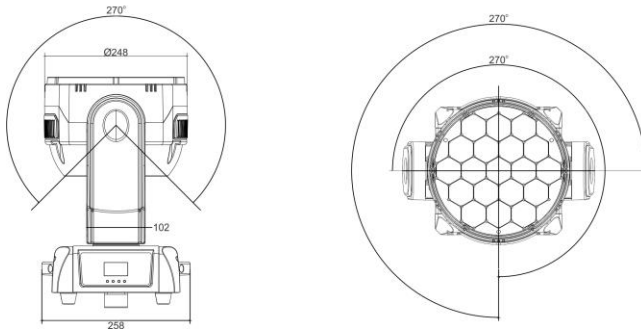
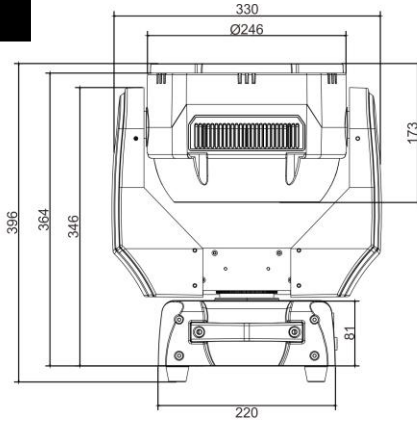
7	7		<u>Dimmer intensity :</u>
		0-255	Intensity 0 to 100%
8	8		<u>Dimmer mode :</u>
		0-49	Dimmer mode 1
		50-99	Dimmer mode 2
		100-149	Dimmer mode 3
		150-255	Dimmer mode 4
9	9		<u>Zoom :</u>
		0-255	Zoom adjustment
10			<u>Red LED - all arrays :</u>
		0-255	Red (0-Black , 255-100% Red)
11			<u>Green LED - all arrays :</u>
		0-255	Green (0-Black , 255-100% Green)
12			<u>Blue LED - all arrays :</u>
		0-255	Blue (0-Black , 255-100% Blue)
13			<u>White LED - all arrays :</u>
		0-255	White (0-Black , 255-100% White)
	10		<u>Red LED - array 1 :</u>
		0-255	Red (0-Black , 255-100% Red)
	11		<u>Green LED - array 1 :</u>
		0-255	Green (0-Black , 255-100% Green)
	12		<u>Blue LED - array 1 :</u>
		0-255	Blue (0-Black , 255-100% Blue)
	13		<u>White LED - array 1 :</u>
		0-255	White (0-Black , 255-100% White)
	14		<u>Red LED - array 2 :</u>
		0-255	Red (0-Black , 255-100% Red)
	15		<u>Green LED - array 2 :</u>
		0-255	Green (0-Black , 255-100% Green)

	16		<u>Blue LED - array 2 :</u>
		0-255	Blue (0-Black , 255-100% Blue)
	17		<u>White LED - array 2 :</u>
		0-255	White (0-Black , 255-100% White)
	18		<u>Red LED - array 3 :</u>
		0-255	Red (0-Black , 255-100% Red)
	19		<u>Green LED - array 3 :</u>
		0-255	Green (0-Black , 255-100% Green)
	20		<u>Blue LED - array 3 :</u>
		0-255	Blue (0-Black , 255-100% Blue)
	21		<u>White LED - array 3 :</u>
		0-255	White (0-Black , 255-100% White)
14	22		<u>Rainbow :</u>
		0-4	No function
		5-29	R
		30-54	G
		55-79	B
		80-104	W
		105-129	Rainbow colors 1
		130-154	Rainbow colors 2
		155-174	Rainbow colors 3
		175-179	Rainbow colors 4
		180-184	Rainbow colors 5
		185-189	Rainbow colors 6
		190-210	Rainbow colors 7
	211-255	Cross fading colors from slow to fast	
15	23		<u>Color Presets :</u>
		0-4	No function
		5--9	White1

		10--14	White2
		15-19	White3
		20-24	White4
		25-29	White5
		30-34	White6
		35-39	Red
		40-44	Green
		45-49	Blue
		50-54	Natural White
		55-59	Full White
		60-64	Yellow
		65-69	Magenta
		70-74	Cyan
		75-79	Salmon
		80-84	Turquoise
		85-89	Light Green
		90-94	Steel Blue
		95-99	Orange
		100-104	Straw
		105-109	Pale Lavender
		110-114	Pink
		115-119	RED/WHITE
		120-124	GREEN/RED
		125-129	BLUE/GREEN
		130-134	WHITE/RED
		135-139	GREEN/PINK
		140-144	RED/TURQUOISE
		145-149	RED/WHITE/BLUE
		150-255	Reserved

16	24		<u>Color Presets Dimmer :</u>
		0-255	Dimmer 100 to 0%
17	25		<u>Chase Patterns :</u>
		1--14	Led turn off
		15-30	Chase 1
		31-46	Chase 2
		47-62	Chase 3
		63-78	Chase 4
		79-94	Chase 5
		95-110	Chase 6
		111-126	Chase 7
		127-142	Chase 8
		143-158	Chase 9
		159-174	Chase 10
		175-190	Chase 11
		191-206	Chase 12
		207-222	Chase 13
223-238	Chase 14		
239-255	Chase 15		
18	26		<u>Chase Speed :</u>
		0-125	Fast to Slow Backward
		126-130	Stop(Speed=0)
		131-255	Slow to Fast Forward
19	27		<u>Chase Fade :</u>
		0-255	Fade Chase
20	28		<u>Lamp on/off, reset, internal programs :</u>
		0-79	Normal
		80-99	All motor reset

4. Diagram



5. Trouble shooting

Following are a few common problems that may occur during operation. Here are some suggestions for easy troubleshooting:

a. The unit does not work, no light and the fan does not work

1. Check the connection of power and main fuse.
2. Measure the mains voltage on the main connector.
3. Check the power on LED.

b. Not responding to DMX controller

1. DMX LED should be on. If not, check DMX connectors, cables to see if link properly.
2. If the DMX LED is on and no response to the channel, check the address settings and DMX polarity.
3. If you have intermittent DMX signal problems, check the pins on connectors or on PCB of the unit or the previous one.
4. Try to use another DMX controller.
5. Check if the DMX cables run near or run alongside to high voltage cables that may cause damage or interference to DMX interface circuit.

c. One of the channels is not working well

1. The stepper motor might be damaged or the cable connected to the PCB is broken.
2. The motor's drive IC on the PCB might be out of condition.

6. Fixture Cleaning

The cleaning of internal and external optical lenses and/or mirrors must be carried out periodically to optimize light output. Cleaning frequency depends on the environment in which the fixture operates: damp, smoky or particularly dirty surrounding can cause greater accumulation of dirt on the unit's optics.

- Clean with soft cloth using normal glass cleaning fluid.
- Always dry the parts carefully.
- Clean the external optics at least every 20 days. Clean the internal optics at least every 30/60 days.

All information is subject to change without prior notice.